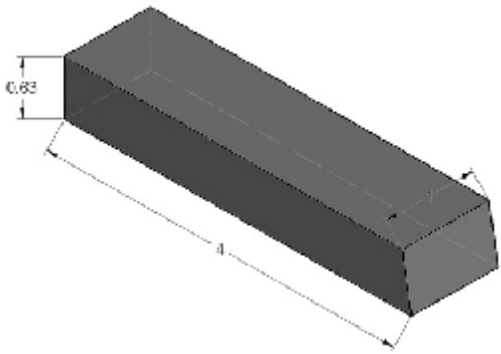
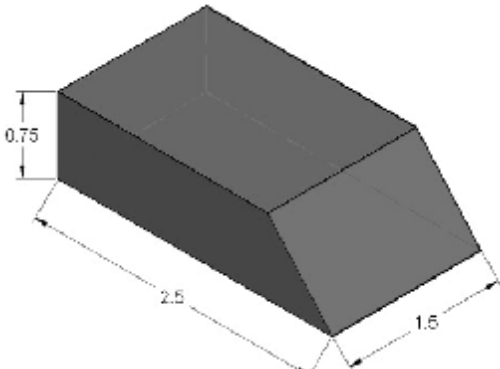
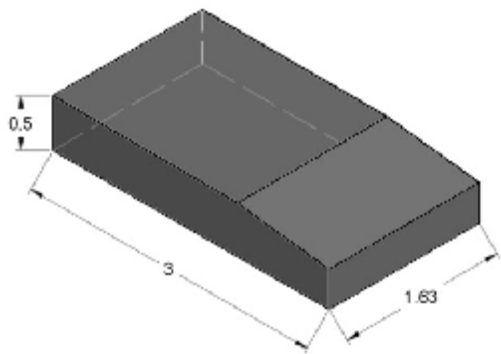
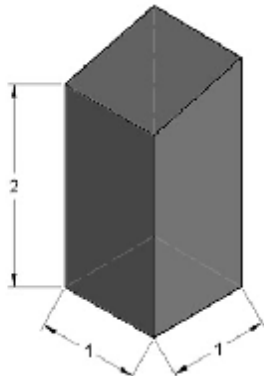
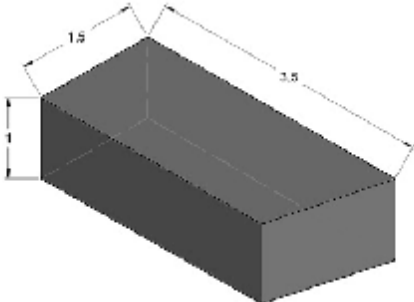
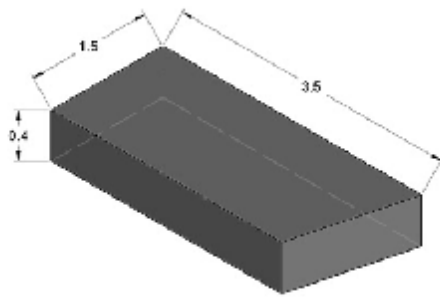
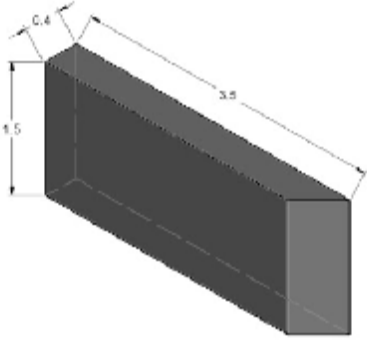
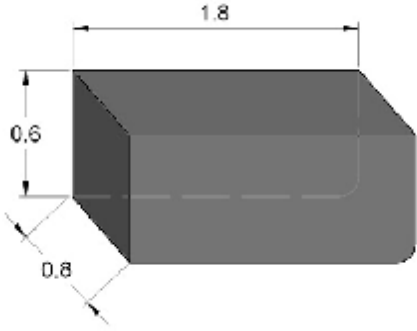
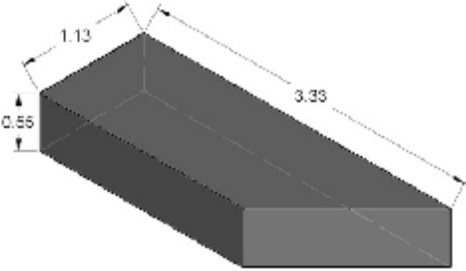
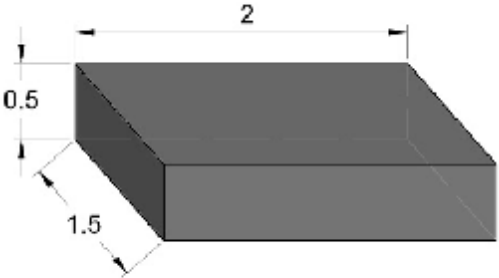
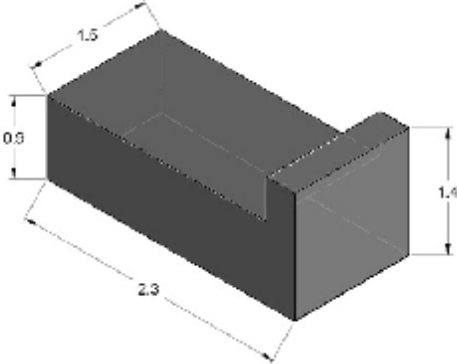
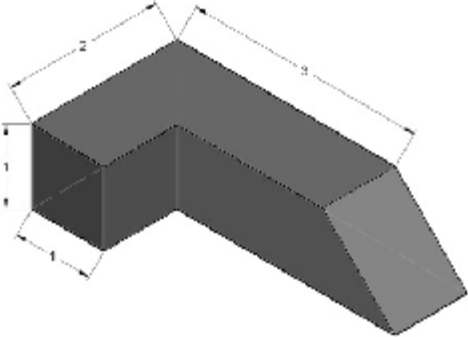
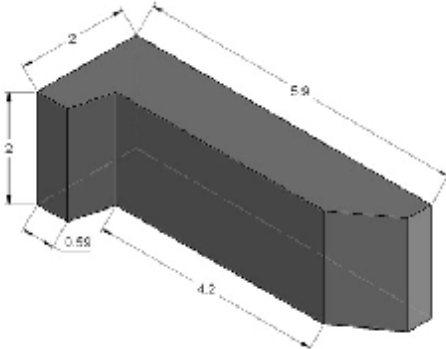
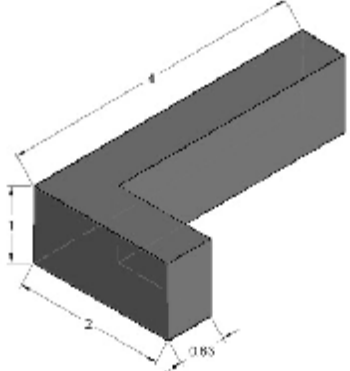
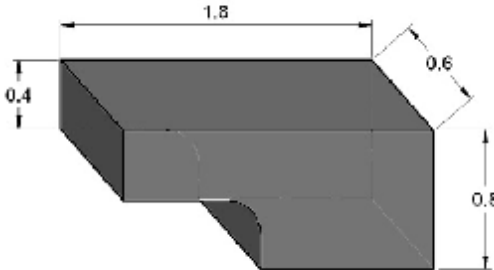
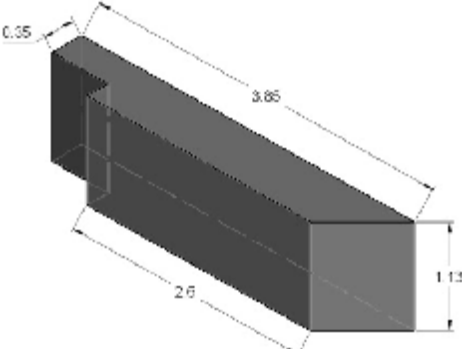
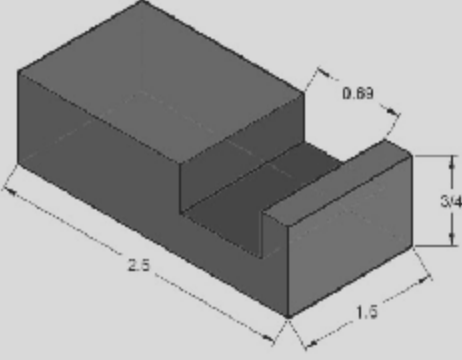
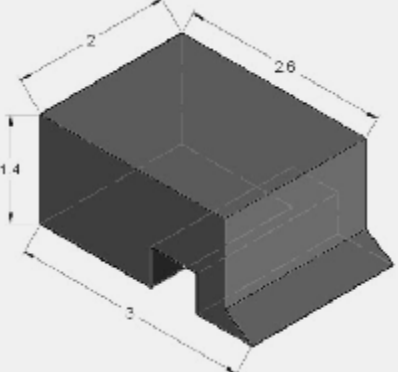


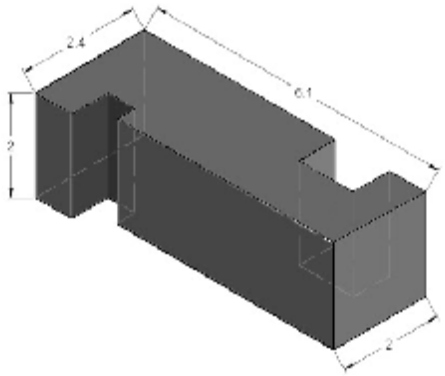
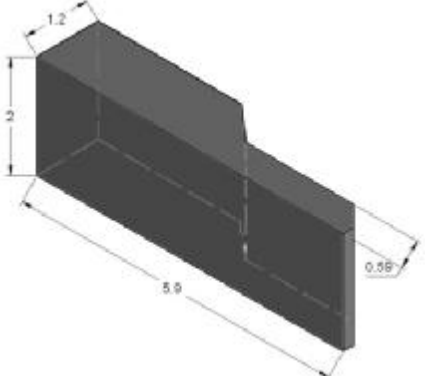
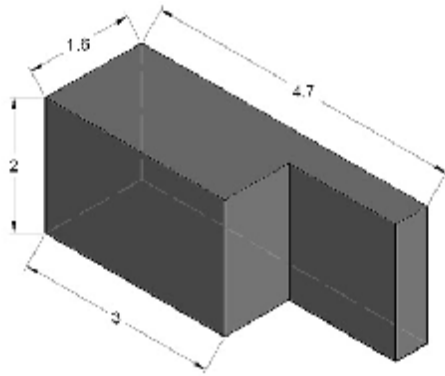
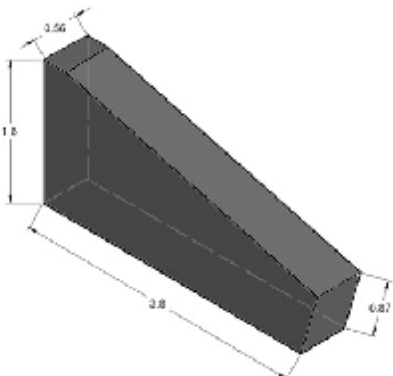
## Our Tungsten Paperweight

At CTOMS, all of our paperweight of this list are made of 95%+ tungsten. All edges are deburred and working surfaces are polished for troubles-free use.

	
<b>WHABBH001</b>	<b>WHABBH002</b>
N.W. (KG/PC) <b>0.74</b>	N.W. (KG/PC) <b>0.71</b>
	
<b>WHABBH003</b>	<b>WHABBH004</b>
N.W. (KG/PC) <b>0.69</b>	N.W. (KG/PC) <b>0.64</b>
	
<b>WHABBH005</b>	<b>WHABBH006</b>
N.W. (KG/PC) <b>1.48</b>	N.W. (KG/PC) <b>0.59</b>

			
<b>WHABBH007</b>		<b>WHABBH008</b>	
N.W. (KG/PC)	<b>0.59</b>	N.W. (KG/PC)	<b>0.25</b>
			
<b>WHABBH009</b>		<b>WHABBH010</b>	
N.W. (KG/PC)	<b>0.66</b>	N.W. (KG/PC)	<b>0.45</b>
			
<b>WHABBL001</b>		<b>WHABBL002</b>	
N.W. (KG/PC)	<b>1.00</b>	N.W. (KG/PC)	<b>1.12</b>
Price (USD/PC)	<b>70.00</b>	Price (USD/PC)	<b>84.00</b>

			
<b>WHABBL003</b>		<b>WHABBL004</b>	
N.W. (KG/PC)	<b>4.20</b>	N.W. (KG/PC)	<b>1.00</b>
			
<b>WHABBL005</b>		<b>WHABBL006</b>	
N.W. (KG/PC)	<b>0.25</b>	N.W. (KG/PC)	<b>0.66</b>
			
<b>WHABBU001</b>		<b>WHABBU002</b>	
N.W. (KG/PC)	<b>0.70</b>	N.W. (KG/PC)	<b>2.0</b>

			
<b>WHABBU003</b>		<b>WHABBP001</b>	
N.W. (KG/PC)	<b>7.45</b>	N.W. (KG/PC)	<b>2.80</b>
			
<b>WHABBP002</b>		<b>WHABBT001</b>	
N.W. (KG/PC)	<b>3.25</b>	N.W. (KG/PC)	<b>1.40</b>

CHINA  
 PAPERWEIGHT